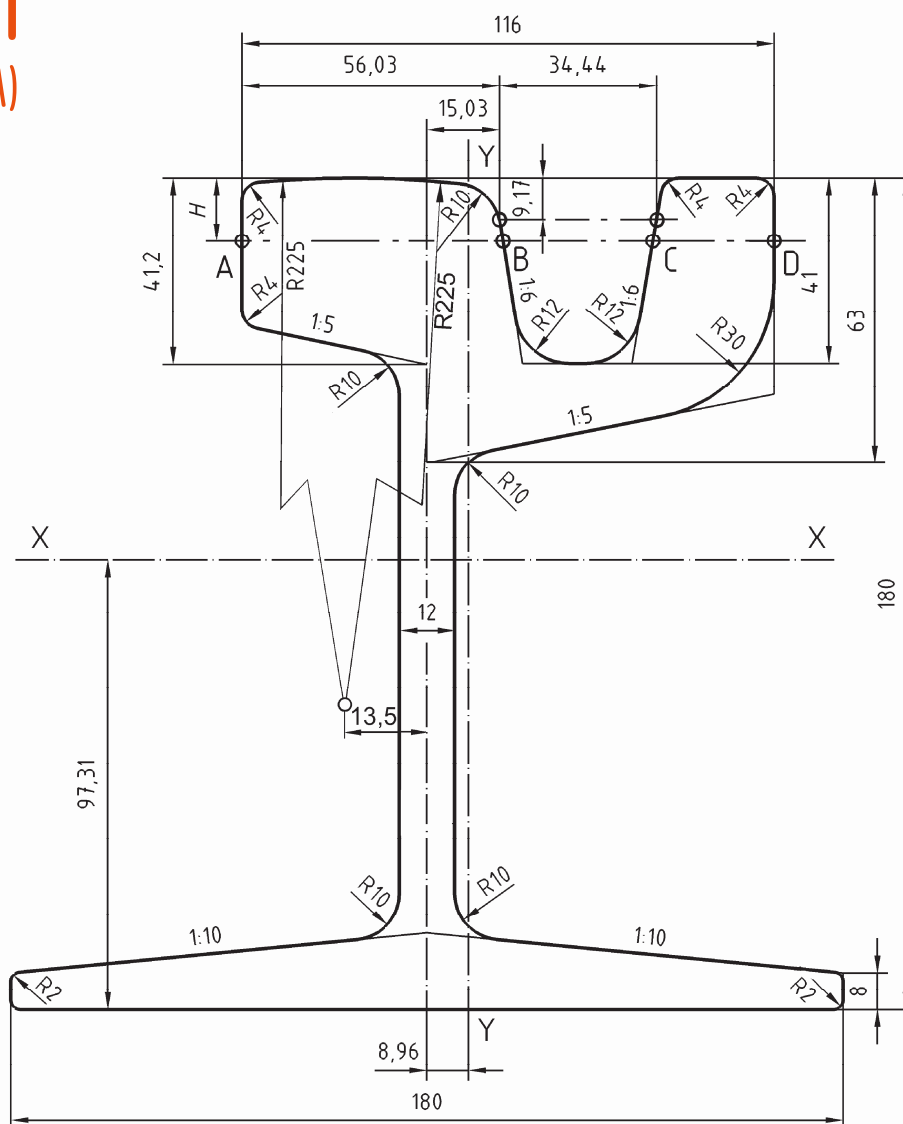




ArcelorMittal

Grooved Rails / Rillenschienen / Rail à Gorge

62R1 (Np4aM)



ArcelorMittal

62R1 (Np4aM)

Mass 62,37 kg/m

Area 79,45 cm²

Moment of Inertia

/xx 3535,5 cm⁴

/xy 1041,9 cm⁴

Additional contact info: rails.specialsections@arcelormittal.com