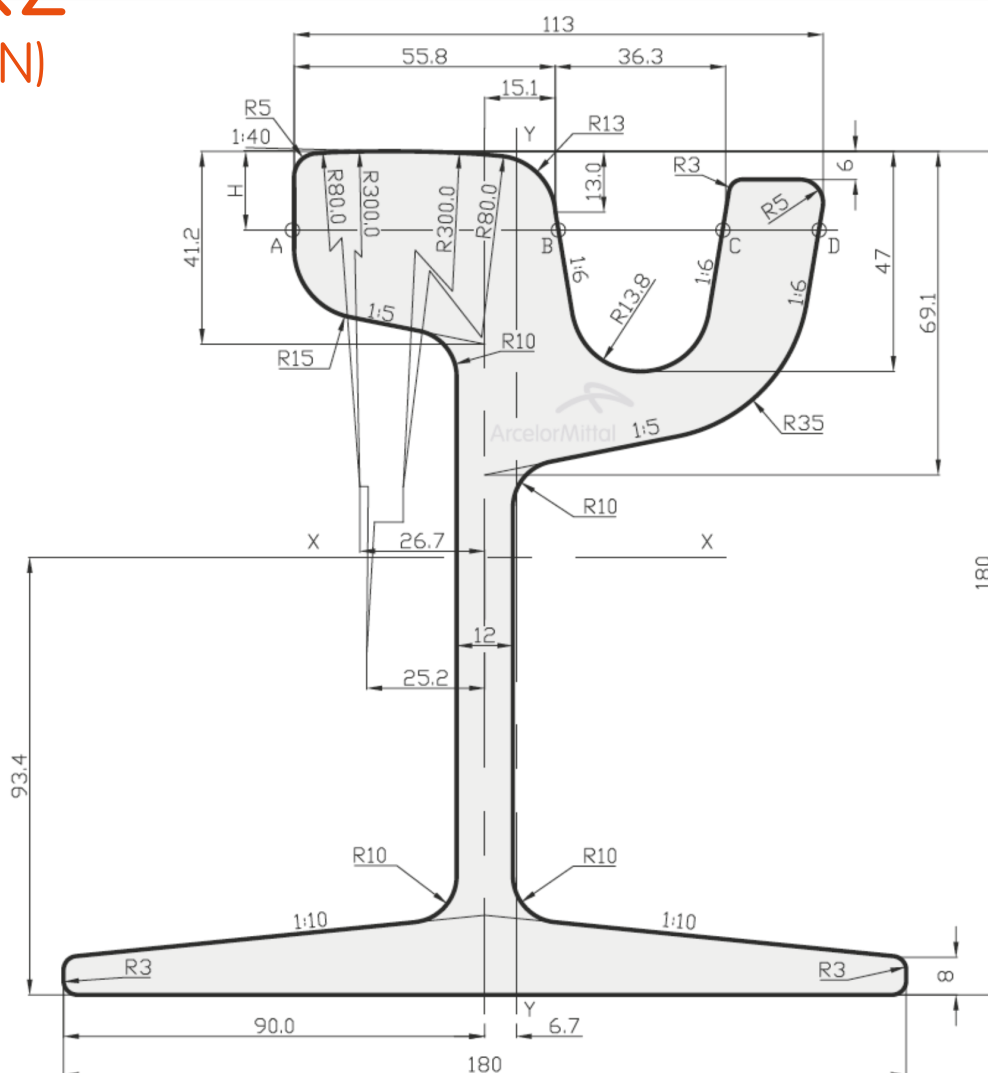




ArcelorMittal

Grooved Rails / Rillenschienen / Rail à Gorge

60R2 (Ri60N)



ArcelorMittal

60R2 (Ri60N)

Mass 59,75 kg/m

Area 76,11 cm²

Moment of Inertia

/xx 3298,1 cm⁴

/xy 920,1 cm⁴

Additional contact info: rails.specialsections@arcelormittal.com