

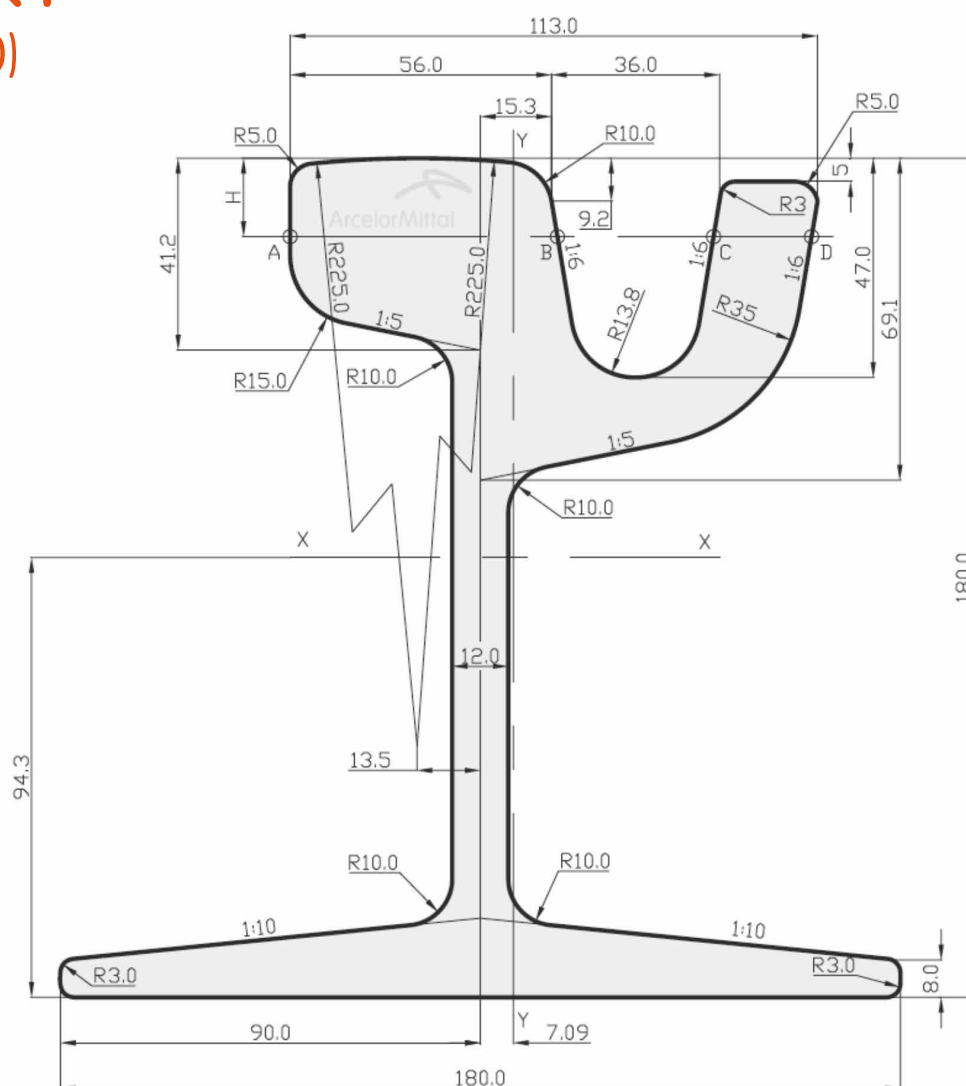


ArcelorMittal

Grooved Rails / Rillenschienen / Rail à Gorge

60R1

(Ri60)



ArcelorMittal

60R1

(Ri60)

Mass 60,59 kg/m

Area 77,19 cm²

Moment of Inertia

/xx 3352,9 cm⁴

/xy 928,5 cm⁴

Additional contact info: rails.specialsections@arcelormittal.com