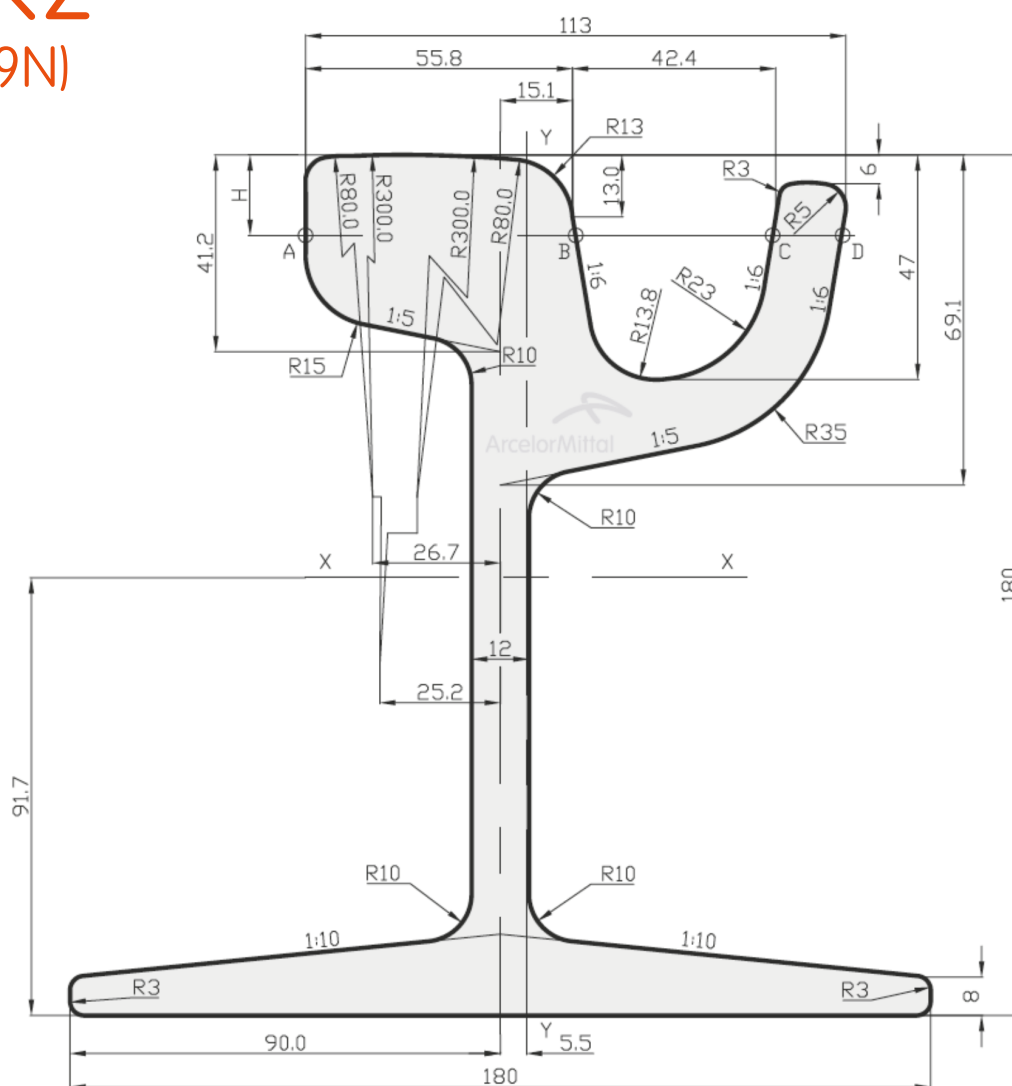




ArcelorMittal

# Grooved Rails / Rillenschienen / Rail à Gorge

## 59R2 (Ri59N)



ArcelorMittal

## 59R2 (Ri59N)

Mass 58,20 kg/m

Area 74,13 cm<sup>2</sup>

Moment of Inertia

/xx 3213,8 cm<sup>4</sup>

/xy 877,4 cm<sup>4</sup>

Additional contact info: [rails.specialsections@arcelormittal.com](mailto:rails.specialsections@arcelormittal.com)