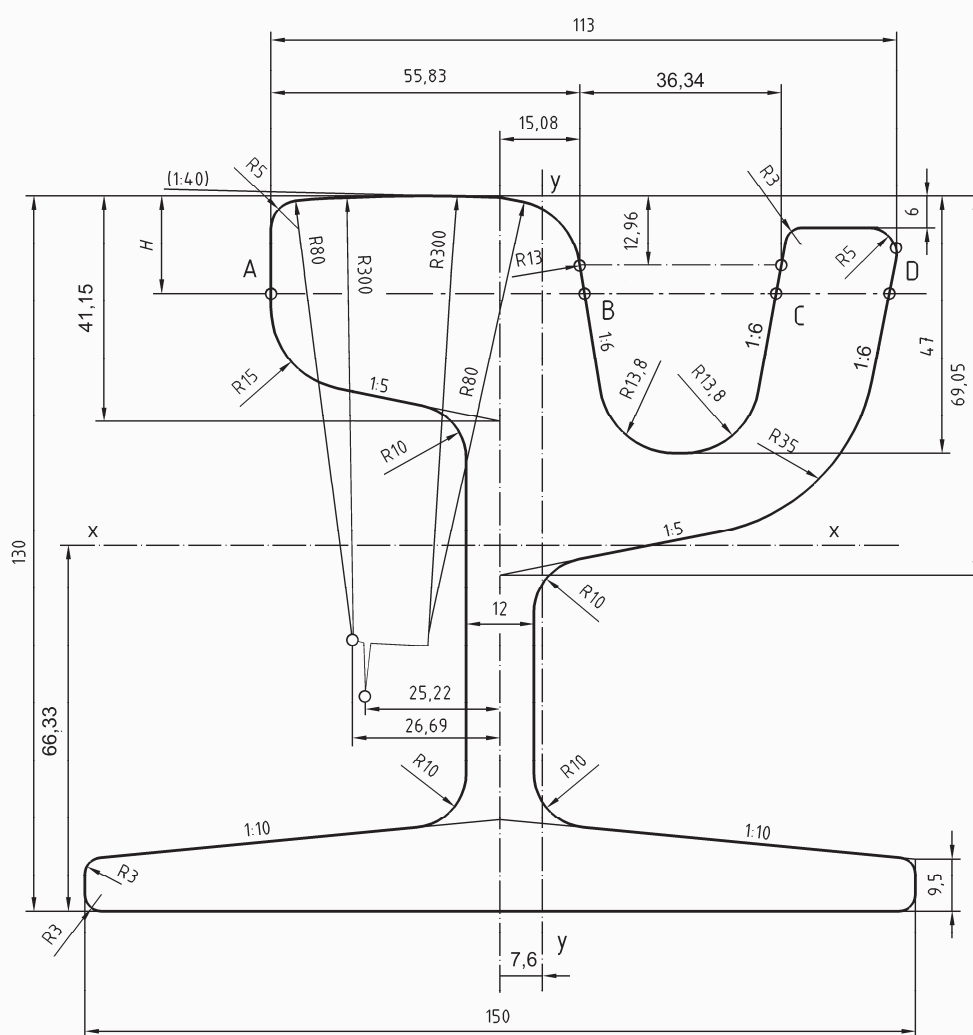




ArcelorMittal

# Grooved Rails / Rillenschienen / Rail à Gorge

## 53R1 (Ri53)



ArcelorMittal

## 53R1 (Ri53)

Mass 52,98 kg/m

Area 67,49 cm<sup>2</sup>

Moment of Inertia  
/xx 1326,0 cm<sup>4</sup>

Additional contact info: [rails.specialsections@arcelormittal.com](mailto:rails.specialsections@arcelormittal.com)